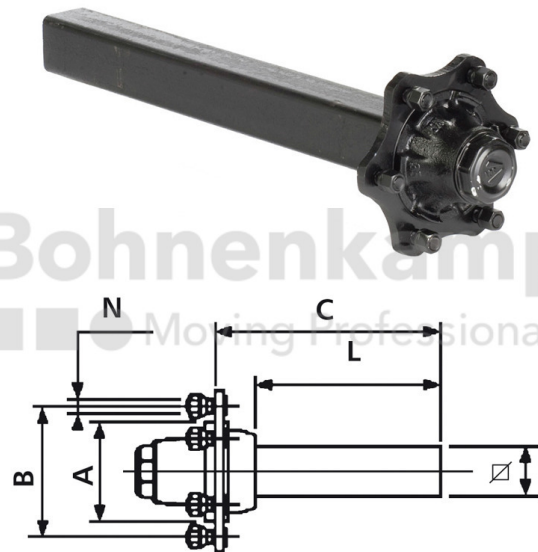


AUTOMOTIVE COMPONENTS

Product group	Automotive components
Item number	40451023
Stub length C [mm]	200
Stub length L [mm]	160
Number of bolt holes	5
Hub diameter [mm].	66
Pitch circle diameter [mm]	112



Technical Informations

Brand	ADR
Axle load 25 km/h (single axle) [kg].	1100
Axle load 25 km/h (tandem) [kg]	850
Axle load 25 km/h (two-axle vehicles) [kg]	950
Axle load 40 km/h (single axle) [kg].	975
Axle load 40 km/h (tandem) [kg]	800
Axle load 40 km/h (two-axle vehicles) [kg]	875
Axle load 60 km/h (single axle) [kg].	875
Axle load 60 km/h (tandem) [kg]	725
Axle load 60 km/h (two-axle vehicles) [kg].	800
ABS	No

Wheel stud type	M14
Thread	M14 x 1,5
Surface treatment	primed
Colour	Black
RAL	RAL9005
Axle plates welded on	No
Nettogewicht [kg] (gültig)	5,50