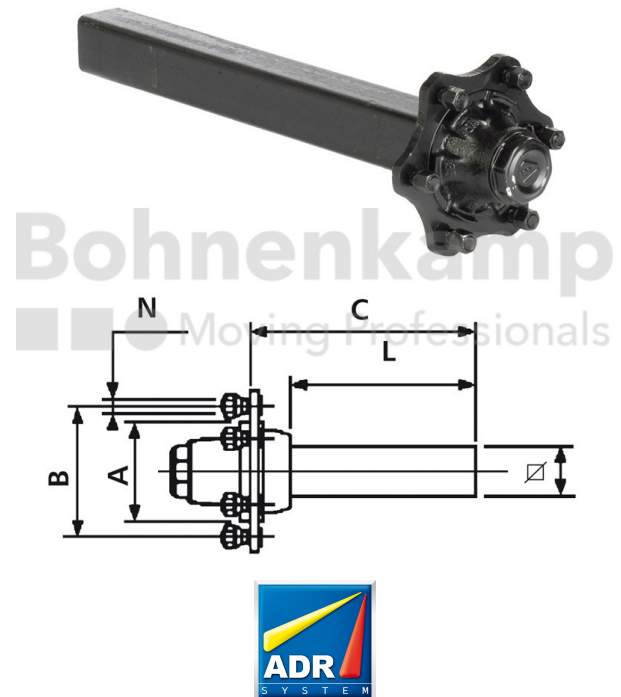


AUTOMOTIVE COMPONENTS

Product group	Automotive components
Item number	40451546
Stub length C [mm]	830
Stub length L [mm]	740
Square axle beam [mm]	90
Number of bolt holes	10
Hub diameter [mm].	280
Pitch circle diameter [mm]	335



Technical Informations

Brand	ADR
Axle load 40 km/h (single axle) [kg].	5250
Axle load 40 km/h (tandem) [kg]	4250
Axle load 40 km/h (two-axle vehicles) [kg]	4500
ABS	No
Wheel stud type	M22
Thread	M22 x 1,5
Surface treatment	primed
Colour	Black
RAL	RAL9005
Axle beam design	Full material

Axle plates welded on	No
Nettogewicht [kg] (gültig)	80,00
