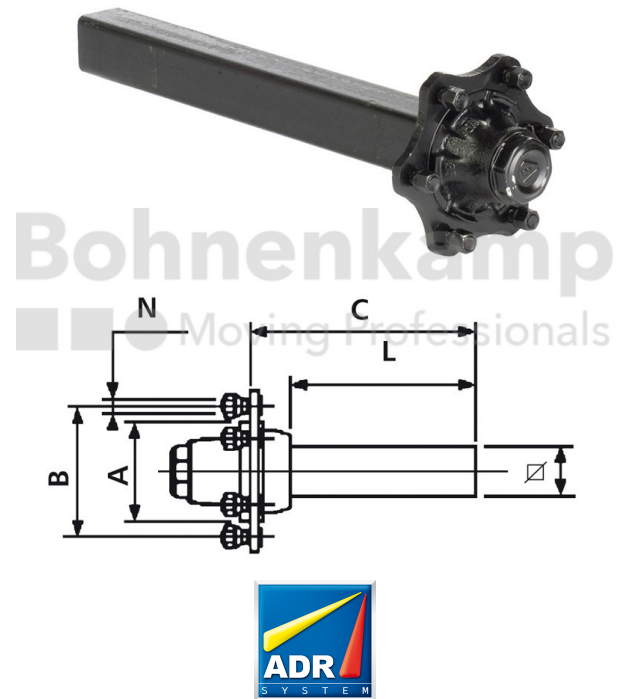


AUTOMOTIVE COMPONENTS

Product group	Automotive components
Item number	40451551
Stub length C [mm]	600
Square axle beam [mm]	100
Number of bolt holes	10
Hub diameter [mm].	280
Pitch circle diameter [mm]	335



Technical Informations

Brand	ADR
ABS	No
Wheel stud type	M22
Thread	M22 x 1,5
Bearing pairing	UA
Surface treatment	primed
Colour	Black
RAL	RAL9005
Axle beam design	Full material
Axle plates welded on	No
Nettogewicht [kg] (gültig)	80,00