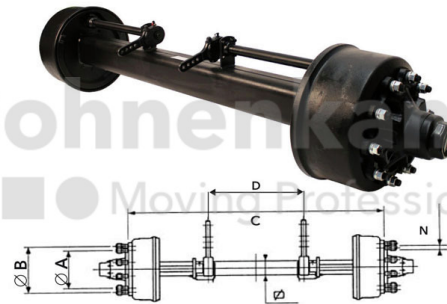


AUTOMOTIVE COMPONENTS

Product group	Automotive components
Item number	40476851
Track width [mm]	2230
Square axle beam [mm]	150
Number of bolt holes	10
Hub diameter [mm].	280
Pitch circle diameter [mm]	335
Brake size	420X200



Technical Informations

Brand	ADR
Type of brake	Pneumatic operated
Brake size	420X200
Brake type	4220S
ABS	Yes
Version of brake lever	Automatic slack adjuster
Surface treatment	primed
Colour	Black
RAL	RAL9005
Axle beam design	Hollow body
Axle plates welded on	No

Nettogewicht [kg] (gültig)	388,00
----------------------------	--------
