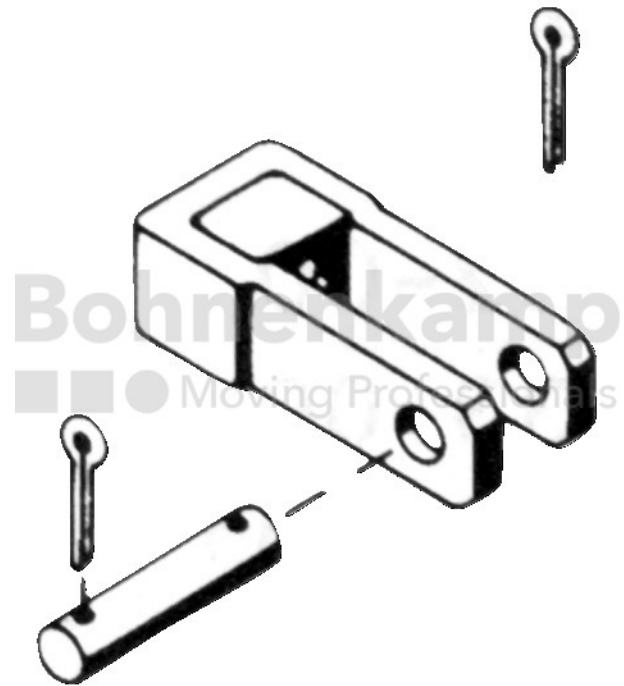


AUTOMOTIVE COMPONENTS

Product group	Automotive components
Item number	41220753



Technical Informations

Brand	PE Automotive
Corrosion protection	No
Nettogewicht [kg] (gültig)	0,16