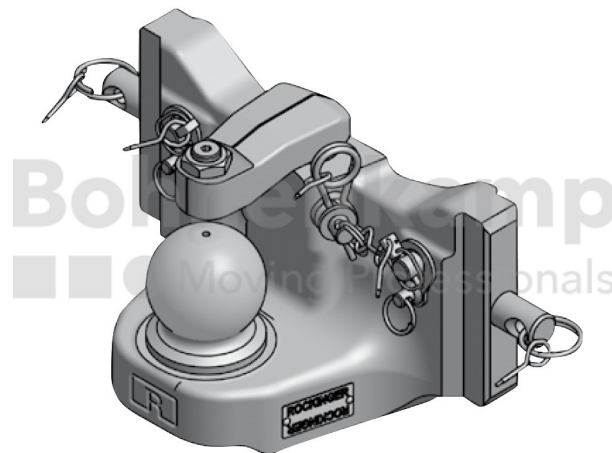


## AUTOMOTIVE COMPONENTS

Product group	Automotive components
Item number	44802070



## Technical Informations

Brand	Rockinger
Nettogewicht [kg] (gültig)	30,00